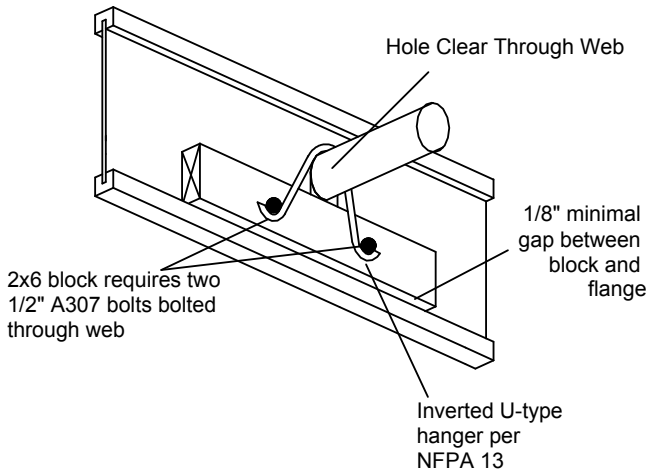


S8 SPRINKLER SUPPORT

Assembly Capacity 240 lbs.



Hanger per NFPA 13
Verify hanger capacity with manufacturer.