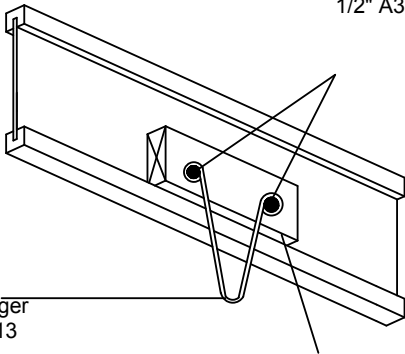


## S4 SPRINKLER SUPPORT

Assembly Capacity 240 lbs.

2x6 block requires two  
1/2" A307 bolts bolted  
through web



U-type hanger  
per NFPA 13

1/8" minimal gap  
between block and  
flange

Verify hanger capacity with manufacturer.