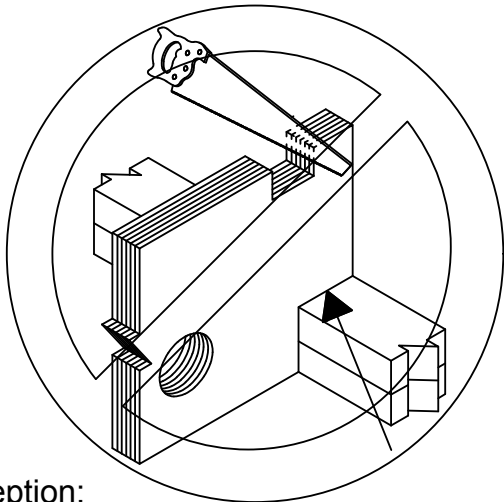


R9

DON'T bore holes or notch unless reviewed by a design professional.



Exception:

Small holes may be drilled in accordance with the Beam Hole Details.