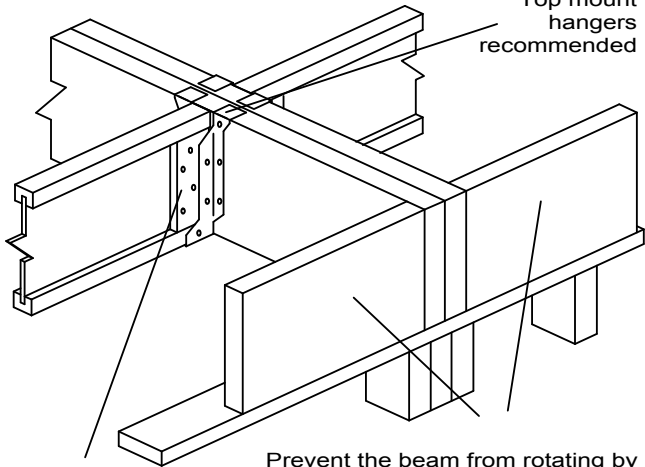


P6

FLOOR BEAM (Flush Ceiling)

Top mount
hangers
recommended



Check stiffener /
filler requirements
depending on load
and hanger type

Prevent the beam from rotating by
using rim or blocking