

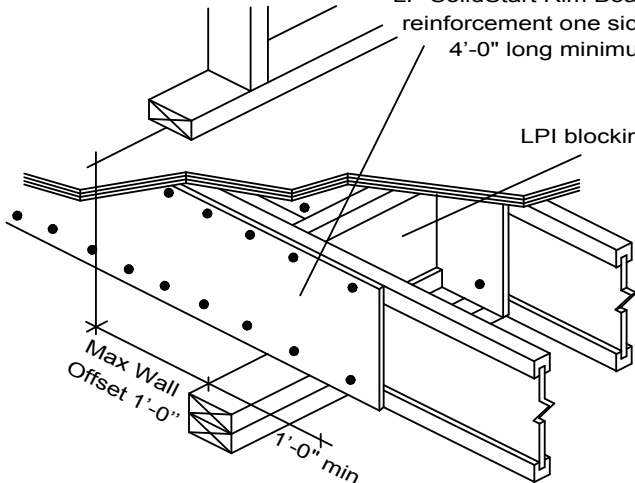
D1

INTERIOR REINFORCING Non-Stacking Walls

1" or 1-1/8"

LP SolidStart Rim Board
reinforcement one side,
4'-0" long minimum

LPI blocking



Attach reinforcement to top and
bottom flanges with 8d nails at 6" oc