

## C7a Brick-Ledge Cantilever Detail Web Filler Reinforcing

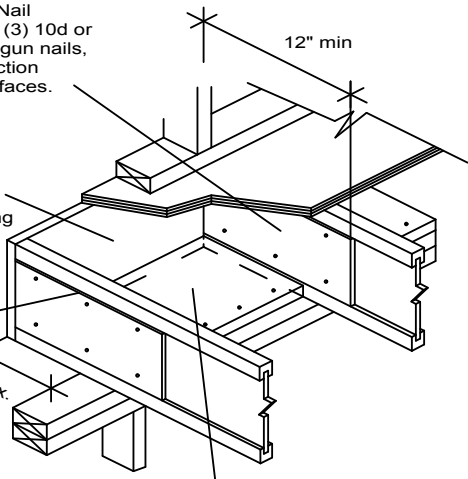
Min 23/32" APA Rated OSB web filler, both sides. Nail fillers with two rows of (3) 10d or 12d box or equivalent gun nails, clinched. Use construction adhesive between surfaces.

Min 1" LP SolidStart Rim Board closure. Nail to edge of blocking with connection equivalent to floor sheathing schedule.

Leave 1/8" gap

6" Max.

12" min



2x or LP Rim Board Soffit Block must extend to inside face of rim board closure. Attach to bearing wall as required by code.