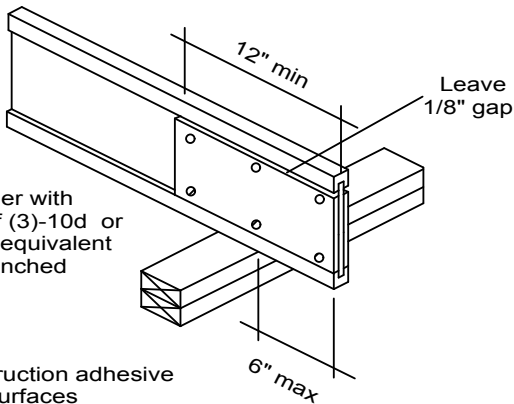


C7

## BRICK LEDGE CANTILEVER Web Filler Reinforcing

Min. 23/32" APA Rated  
OSB web fillers (both sides)



Nail web filler with  
two rows of (3)-10d or  
12d box or equivalent  
gun nail, clinched

Use construction adhesive  
between surfaces

Blocking panels are required at the bearing,  
but are not shown for clarity.