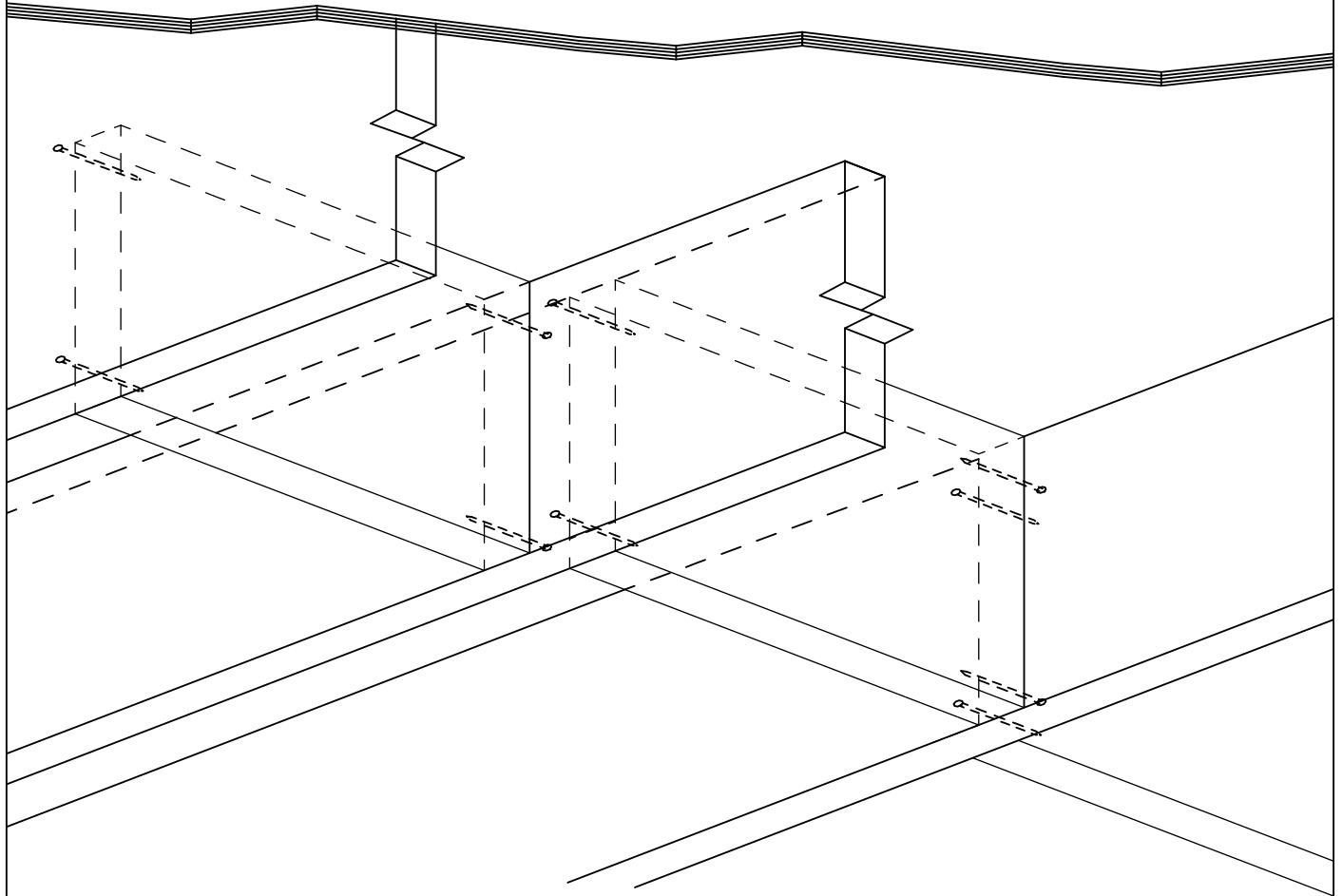


B9b

Clear Span Bracing- Blocking

(when called for by joist design/layout)



(2) 16d nails per end, top and bottom, or
(4) 8d or 10d box nails per end
when toe nailing, 2-top and 2-bottom.