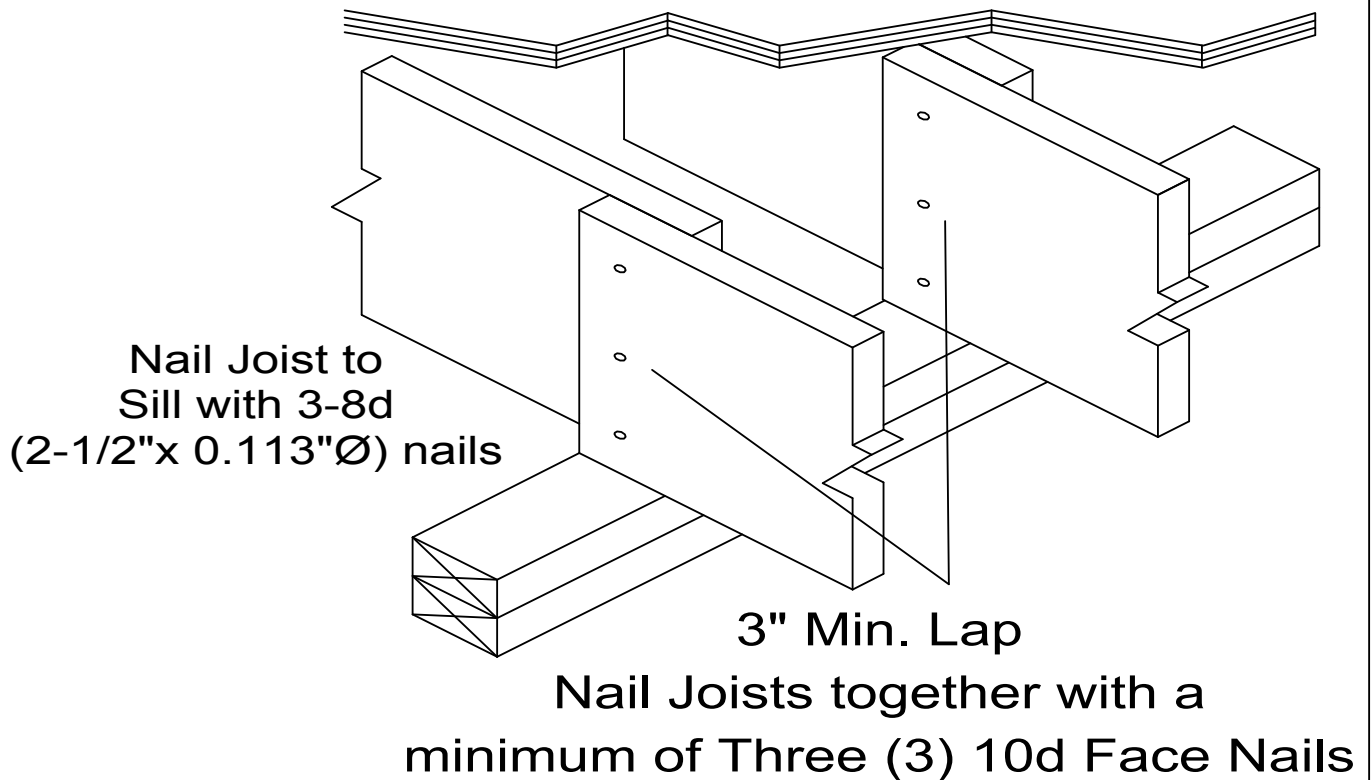


## B3d SCL Joists- Lapped Ends

Blocking is Required for all Joists with Depths Greater than  $11\text{-}\frac{7}{8}\text{'}$ , or On-Center Spacings Greater than  $24\text{'}$ , and for all I-Joists.



Blocking may be required at supports by project designer or by code for seismic design