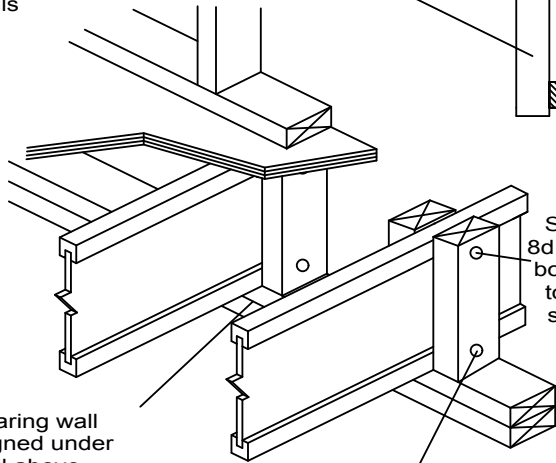
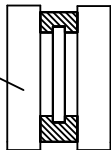


B2

SQUASH BLOCKS

Use double squash blocks as specified.
Squash blocks must be cut $1/16"$ taller than I-Joist. 2x4 min.

Blocking panels may be required with shear walls



Bearing wall aligned under wall above

Stagger
8d or 10d
box nails
to avoid
splitting

Toe nail 8d or 10d box nail to plate