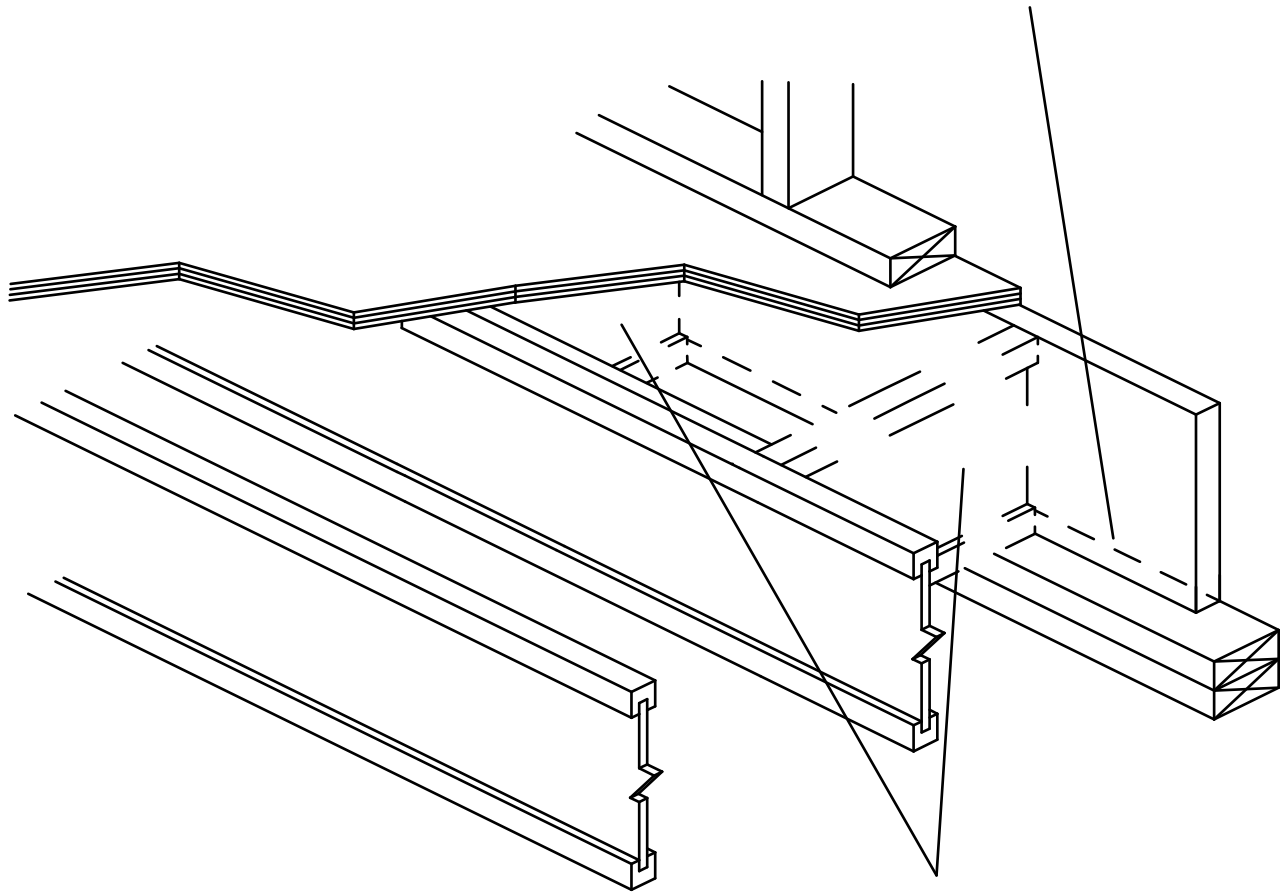


A9

RIM BOARD AS STARTER JOIST

10d box nails at 6" o.c. toe-nailed
from outside of building.



Provide blocking for
lateral support as required. Use LP I-Joist,
LP LVL, LP LSL, or LP Rim Board as blocking