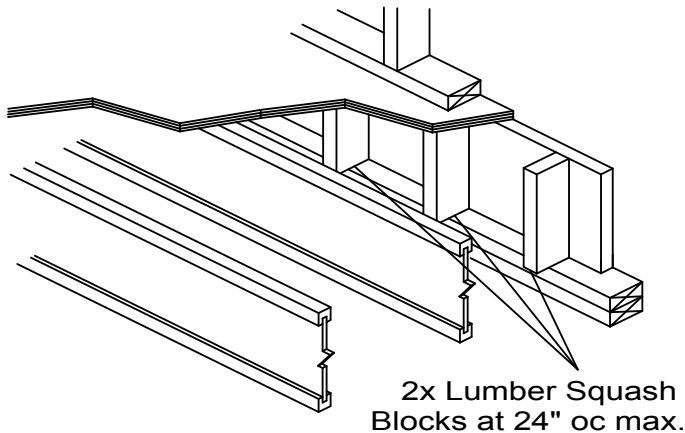


A7s

SOLID RIM AS STARTER JOIST w/ Squash Blocks



2x Lumber Squash
Blocks at 24" oc max.

Fasten rim board to each floor
I-Joist using one 8d nail or
10d box nail per flange