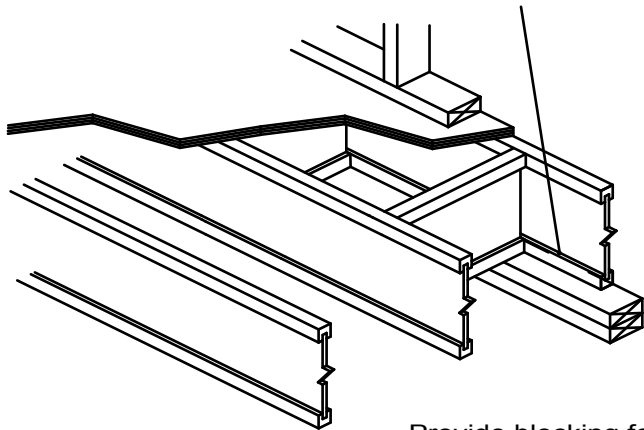


A6I

## I-JOIST AS STARTER JOIST

8d nail at 6" o.c.

(when used for shear transfer  
nail to bearing plate with same  
nailing schedule as decking)



Provide blocking for  
lateral support as required. Use LP I-Joist,  
LP LVL, LP LSL, or LP Rim Board as blocking