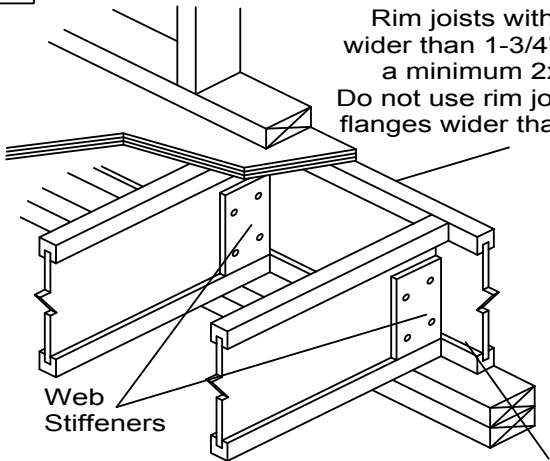


A2w

RIM JOIST w/ Web Stiffeners

Rim joists with flanges wider than 1-3/4" require a minimum 2x6 plate. Do not use rim joists with flanges wider than 2-1/2"



Web
Stiffeners

Fasten rim joist to each floor I-Joist with one 10d box nail into each end of the flange. Use 16d box nails for rim joists with flanges wider than 1-3/4".

8d nail at 6" o.c.
(when used for shear transfer nail to bearing plate with same nailing schedule as decking)